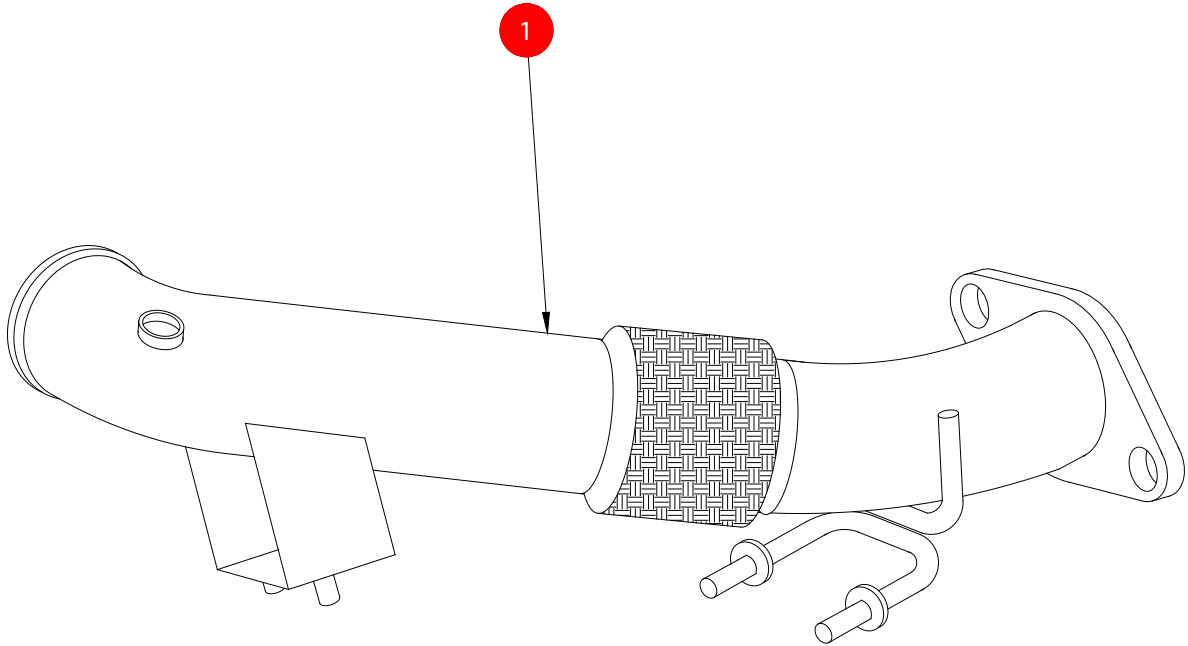


FITTING INSTRUCTIONS

[]

CAR	Ford Focus ST 2.0T 250	PART NO.	SFDC071
YEAR	12-	FIT KITS	
NOTES	Where not supplied use original fittings	FEATURES	Pipe diameter:- 76mm/3"



NO.	PART NO.	DESCRIPTION	QTY
1	1178FD	Turbo Down Pipe De-Cat	1

NOTE: ENSURE SCORPION SYSTEM IS CLEAR OF MOVING PARTS AND ALL ORIGINAL FUNCTIONS WORK CORRECTLY.

CLASSIFICATION	Motorsport Use Only
HOMOLOGATED	No
DATE	10/10/12
ISSUE	02
AUTHORISED	T.ROWLEY

